



Contents

| | |
|---|----|
| 1. Information on This Operating Instruction | 1 |
| 1.1 Pictographs Used | 2 |
| 1.2 Exclusion of Liability | 2 |
| 2. Safety Instructions | 2 |
| 3. Device Description | 4 |
| 3.1 Intended Use | 4 |
| 4. Technical Data | 5 |
| 5. Mounting | 5 |
| 5.1 General Installation Steps | 5 |
| 5.2 Mounting Steps for Connections | 5 |
| According to DIN 3852 | 5 |
| 5.3 Mounting Steps for NPT Connections | 5 |
| 5.4 Positioning of the Display Module | 6 |
| 6. Commissioning | 6 |
| 7. Operation | 6 |
| 7.1 Operating and Indicating Elements | 6 |
| 7.2 Structure of the Menu System | 7 |
| 7.3 Menu List | 7 |
| 8. Power Supply / Battery Replacement | 8 |
| 9. Maintenance / Cleaning, Storage and Transport | 8 |
| 10. Return | 9 |
| 11. Dismounting and Disposal | 10 |
| 12. Warranty Conditions | 10 |
| 13. CE Conformity | 10 |
| 14. Declaration of Conformity | 11 |

1. Information on This Operating Instruction

- The manual is aimed at specialists and semi-skilled personnel.
- Please read the instructions carefully before carrying out any operation and keep the specified order.
- Thoroughly read and understand the information in chapter 2 "Safety Instructions".

If you have any problems or questions, please contact your supplier or contact us directly at:



ARMANO Messtechnik GmbH

Location Beierfeld

Am Gewerbestraße 9 • 08344 Grünhain-Beierfeld
Tel.: +49 3774 58 – 0 • Fax: +49 3774 58 – 545
mail@armano-beierfeld.com

Location Wesel

Manometerstraße 5 • 46487 Wesel-Ginderich
Tel.: +49 2803 9130 – 0 • Fax: +49 2803 1035
mail@armano-wesel.com

Operating Instructions

Digital Pressure Gauge DPG 300

1.1 Pictographs Used

In this manual, pictographs are used as hazard warnings.

Particular information, instructions and restrictions designed for the prevention of personal or substantial property damage:



WARNING! Is used to warn you against an imminent danger that may result in personal injury or death.

IMPORTANT! Is used to warn you against a possibly hazardous situation that may result in personal, property or environmental damage.

CAUTION! Is used to draw your attention to important recommendations to be observed. Disregarding them may result in property damage.



DANGER OF EXPLOSION! Indicates a potentially hazardous situation, which may result from existing explosive gases and dusts. Disregarding the safety instructions may result in explosions.



Passages in the text containing **explanations, information or advice** are highlighted with this pictograph.



The following symbol highlights **actions** you have to conduct or **instructions** that have to be strictly observed.

1.2 Exclusion of Liability

We accept no liability for any damage or malfunction resulting from incorrect installation, inappropriate use of the device or failure to follow the instructions in this manual.

2. Safety Instructions

Please read this operating instruction thoroughly before operating the digital pressure gauge.

Disregarding the containing warnings, especially the safety instructions, may result in danger for people, the environment, and the device and the system it is connected to.

The digital pressure gauge corresponds with the state of engineering at the time of printing. This concerns the accuracy, the operating mode and the safe operation of the device. In order to guarantee that the device operates safely, the operator must act competently and be conscious of safety issues.

The ARMANO Messtechnik GmbH provides support for the use of its products either personally or via relevant literature. The customer verifies that our product is fit for purpose based on our technical information. The customer performs customer and application specific tests to ensure that the product is suitable for the intended use. With this verification, all hazards and risks are transferred to our customers. Our warranty expires in case of inappropriate use.

Qualified personnel:

- The personnel that is charged for the installation, operation and maintenance of the instrument must hold a relevant qualification. This can be based on training or relevant tuition. The personnel must be aware of this manual and have access to it at all times.
- The electrical connection shall be carried out by a fully qualified electrician only.

General safety instructions:

- In all work, the existing national regulations for accident prevention and safety at the workplace must be complied with. Any internal regulations of the operator must also be complied with, even if these are not mentioned in this manual.
- Degree of protection according to DIN EN 60529: Ensure that the ambient conditions at the installation location do not exceed the requirements of the specified degree of protection (⇒ chapter 4 "Technical Data").
- Use the instrument in its perfect technical condition only. Damaged or defective instruments need to be checked immediately and replaced if necessary.
- Only use appropriate tools for mounting, connecting and dismantling the instrument.
- Nameplates or other information on the device shall neither be removed nor obliterated, since otherwise any warranty and manufacturer responsibility expires.
- In order to ensure measurement accuracy and durability of the instrument and to avoid damage, the limit values indicated in the technical data have to be observed.
- In case of visible damage or malfunctions, the instrument must be put out of operation immediately.
- Handle this highly sensitive electronic measuring device carefully, both in its packaged and unpackaged condition!
- Any changes or modifications to the device are not permissible.
- Do not throw the device!
- To avoid damaging the membrane, please remove the packaging and, if applicable, the protection cap not until installation of the device! If a protection cap was supplied, it must be stored!
- After disassembly, this protection cap must be re-attached on the membrane.
- Handle an unprotected membrane with extreme care; it can easily be damaged.
- Do not exert any force when installing the devices to prevent damage to the device and the system!
- The display and the plastic housing are provided with a rotational limiter. Do not try to overtighten the display or housing by using force.
- Ensure that no mechanical stresses occur at the pressure connection during installation, as these could lead to a shift in the characteristic curve.
- For hydraulic systems, position the device in such a way that the pressure connection points upwards (venting).
- Provide a cooling extension when used in steam pipes.

Safety instructions oxygen:



DANGER OF EXPLOSION in case of improper use of instruments suitable for oxygen applications! To ensure safe use, the following aspects have to be observed:

- Ensure that your instrument was ordered and supplied as special version for oxygen applications.
- When being despatched, the device is packed in a plastic bag to protect it from contaminations. Please regard the label with the text "Device for oxygen, unpack only directly before assembling"! In addition, any skin contact must be avoided during unpacking and installation, so that no grease residues remain on the device!
- During installation, the applicable regulations concerning explosion protection have to be regarded. Please check, whether an approval as intrinsically safe equipment is required in addition to the suitability for oxygen (the device delivered has no ATEX approval).
- Please regard that the entire system must comply with the requirements of the BAM (Federal Institute for Materials Research and Testing), DIN 19247.
- For oxygen applications > 25 bar, pressure gauge versions without sealing are recommended.
- Pressure gauges with sealing rings made of FKM (Vi 567): permissible maximum values: 25 bar / 150 °C (BAM approval).

Special safety instructions:

Warnings, which are specifically relevant to individual operating procedures or activities, are to be found at the beginning of the relevant sections of this operating instruction.

Operating Instructions

Digital Pressure Gauge DPG 300

3. Device Description

The battery-operated digital pressure gauge DPG 300 is suitable for measuring and monitoring positive pressures of liquid and gaseous media for pressure ranges from 0 – 1.6 bar to 0 – 250 bar.

A ceramic sensor serves as measuring element. The rotatable case is made of polycarbonate and has the degree of protection IP65.

The digital pressure gauge is equipped with an integrated rotatable 4½ digit display.

A unit conversion for widespread units (bar, psi, Pa, MPa) has been integrated into the DPG 300. Additional functions are auto zero, min./max. value with reset function, and an automatic switchoff.

Nameplate and sticker:

The nameplate is located on the device. It contains the most important technical data and information.


| | | |
|----------------|-------------------|---|
| ARMANO | | ARMANO |
| | | Messtechnik GmbH |
| DPG 300 | | Prod.-No.: 23456789 |
| Instr.-No.: | 203251234 | |
| Input: | 0... 10 bar | |
| Supply: | 3V Battery CR2450 |  |

Figure 1: nameplate

Scope of delivery:

- 1 digital pressure gauge DPG 300
- 1 operating instruction

3.1 Intended Use

The battery-operated digital pressure gauge DPG 300 was designed for applications in hydraulics and pneumatics as well as in machinery and plant engineering. It can be easily and quickly installed on site.

The user must check whether the device is suitable for the selected application. In case of doubt, please contact our sales department for clarification. The ARMANO Messtechnik GmbH accepts no liability for incorrect selection and its consequences!

Gases or liquids can be used as medium. In addition, it must be ensured that the medium is compatible with the wetted parts.

The technical data specified in the current data sheet are binding and must be adhered to. If you do not have the data sheet, please request it or download it from our website (www.armano-messtechnik.com).

Applications that are not explicitly listed as according to regulations, are improper to intended purpose!

The operational safety of the device supplied is only guaranteed by intended use. The specified limit values (⇒ chapter 4 "Technical Data") must not be exceeded.

Operating Instructions

Digital Pressure Gauge DPG 300

4. Technical Data

| | |
|--------------------------------|---|
| Process connection | |
| • material | stainless steel 316 (1.4401) |
| • connection thread | G 1/4" (DIN 3852), sealing FKM |
| Measuring cell / sensor | ceramic sensor made of Al ₂ O ₃ 96 % |
| Sensor sealing | FKM |
| Case | PA 6.6, polycarbonate, NCS 63 (2½"), degree of protection IP65, rotatable |
| Indication / LC display | 4½ digit, 7 segment indication, rotatable digit height 8.5 mm (0.33") |
| Pressure units | bar, mbar, psi, MPa, mH ₂ O |
| Battery life | > 1500 h in continuous operation |
| Supply voltage | 1 x 3 V lithium battery (CR 2450) |
| Automatic switchoff | configurable 0 – 5 min |
| Measurement accuracy | ± 0.5 % FS |
| Temperature influence | 0.5 % FS / 10 K |
| Operating temperature | 0 – +70 °C (+32 – +158 °F) |
| Medium temperature | -25 / +85 °C (-13 / +185 °F) |
| Storage temperature | 0 – +70 °C (+32 – +158 °F) |
| Reference temperature | +25 °C (+77 °F) |
| Sample rate | 1 measurement / s |

Pressure ranges and overload capability in bar:

| Positive pressure | Overload | Burst pressure |
|--------------------------------|----------|----------------|
| 0 – 1.6 | 4 | 5 |
| 0 – 2.5 | 4 | 5 |
| 0 – 4 | 10 | 12 |
| 0 – 6 | 10 | 12 |
| 0 – 10 | 20 | 25 |
| 0 – 16 | 40 | 50 |
| 0 – 25 | 40 | 50 |
| 0 – 40 | 100 | 120 |
| 0 – 60 | 100 | 120 |
| 0 – 100 | 200 | 250 |
| 0 – 160 | 400 | 500 |
| 0 – 250 | 400 | 500 |
| vacuum resistance unrestricted | | |

5. Mounting

Please check whether all listed parts are included in the scope of delivery (→ chapter 3 "Device Description") without damage and have been delivered according to your order.

5.1 General Installation Steps

Carefully remove the device from its packaging and dispose of it properly.

Proceed as described in the following installation steps according to the connection variant.



WARNING! Mount the device in an unpressurised state only!

5.2 Mounting Steps for Connections According to DIN 3852



IMPORTANT! Do **not** use any additional sealing material such as tow, hemp or Teflon tape!

- Make sure that the O-ring is seated undamaged in the designated groove.
- Ensure that the sealing face of the mating part has a flawless surface (R_z 3.2).
- Screw the device into the mounting thread by hand.
- If you have a device with a knurled ring, it has to be screwed in by hand only.
- Devices with a wrench flat have to be tightened with a spanner
(G 1/4": approx. 5 Nm; G 1/2": approx. 10 Nm;
G 3/4": approx. 15 Nm; G 1": approx. 20 Nm;
G 1 1/2": approx. 25 Nm).
- **The specified tightening torques must not be exceeded!**

5.3 Mounting Steps for NPT Connections

- An additional sealant, e.g. PTFE tape, can be used for sealing.
- Screw the device into the mounting thread by hand.
- Then, tighten the device with a spanner (for 1/4" NPT: approx. 30 Nm).
- **The specified tightening torques must not be exceeded!**

Operating Instructions

Digital Pressure Gauge DPG 300

5.4 Positioning of the Display Module

The display is rotatable, ensuring perfect readability even in unusual installation positions.

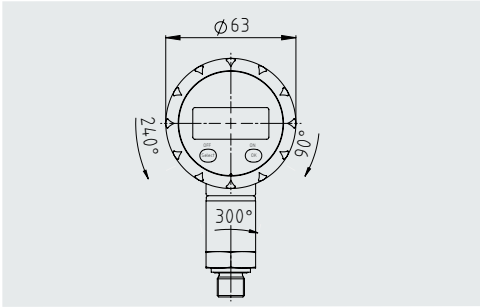


Figure 2: display module

6. Commissioning

Before commissioning, check for proper installation and for any visible defects of the device. Commissioning shall only be carried out by qualified personnel, who read and understood this manual! The device has to be operated within the specifications only! (Please refer to the technical data in the data sheet.)

7. Operation

7.1 Operating and Indicating Elements

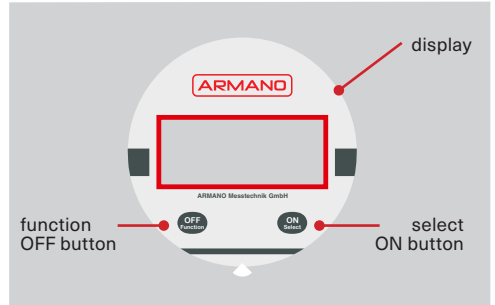


Figure 3: LC display



switching on the device
selection of pressure units
calibration of zero point
configuration of automatic switchoff



switching off the device
scrolling in the menu system

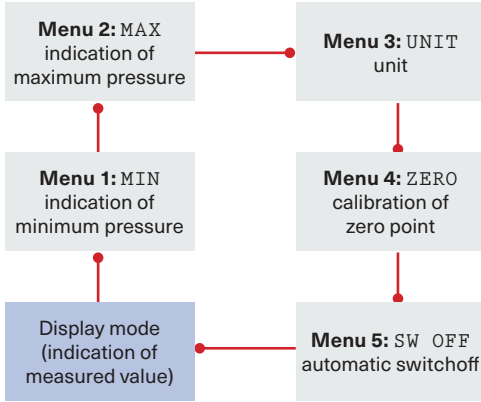
The indication of the measured value as well as the configuration of the individual parameters is menu-driven via an LC display. The individual functions can be set using two miniature pushbuttons on the front panel.

The **OFF Function** button is used to scroll through the individual set-up menus to access the desired setting point. All settings are permanently stored in a Flash-EPROM and are therefore still available even after a battery replacement.

Operating Instructions

Digital Pressure Gauge DPG 300

7.2 Structure of the Menu System



7.3 Menu List

| | | |
|-------------------------|---|--|
| Menu 1 MIN | Indication of minimum pressure | The minimum pressure, which was applied during the measurement, is indicated in the display. To delete the stored value, press . τ SET appears in the display, the value is reset. |
| Menu 2 MAX | Indication of maximum pressure | The maximum pressure, which was applied during the measurement, is indicated in the display. To delete the stored value, press . τ SET appears in the display, the value is reset. |
| Menu 3 UNIT | Setting of pressure unit | selectable units: bar, mbar, psi, MPa, mH ₂ O The desired unit can be selected and activated by pressing . Depending on the pressure range and the accuracy of the device, the availability of the selectable units varies. |
| Menu 4 ZERO | Zero point | If you notice deviations in the output value with respect to the zero point, the indication can be recalibrated by pressing . SET appears in the display, the value is reset. A pressure reference is required if the zero point deviates from the ambient pressure. |
| Menu 5 SW OFF | Configuration of automatic switchoff | The desired automatic switchoff can be selected by pressing . allocation of the adjustable numbers: "0": automatic switchoff function is turned off "1" – "5": automatic switchoff after 1 to 5 minutes |

The menu system is exited automatically after 10 seconds, the last set value is stored. If you scroll through all menu points, the menu system is exited after SW OFF.

After configuring the unit, the conversion of the pressure range into a new unit is carried out not until exiting the menu system. Depending on the pressure range, not all units are available.

Operating Instructions

Digital Pressure Gauge DPG 300

8. Power Supply / Battery Replacement



IMPORTANT! The instrument contains lithium batteries.

When handled properly, lithium batteries are safe. If, however, used incorrectly or misused, the following consequences may arise:

- Leaking of battery fluid
- Escaping of gas
- Fire
- Explosion

☞ Please observe the following warnings for safe operations:

- Ensure that the battery terminals are in the correct position.
- Do never short-circuit the batteries.
- Do never cause the batteries to overheat.
- Do not use batteries that show signs of damage.
- Do never attempt to recharge the batteries.
- Do never deeply discharge the batteries.
- Do never attempt to open the batteries.
- Do never combine batteries of different types or used batteries with new ones.
- Dispose of the batteries properly (⇒ chapter 11 "Dismounting and Disposal").

The digital pressure gauge is powered by a 3 V lithium battery (type CR 2450). Stored data are retained even in a currentless state of the instrument.

If the battery status appears on the display, switch off the device and replace the battery with a new one of the same type as soon as possible. This ensures good readability of the values. UL-approved batteries must be used for battery replacement.

The battery compartment is located in the removable display of the digital pressure gauge DPG 300.

To change the battery, proceed as follows:

- Remove the cover and replace the battery.
- Then close the device properly again.



Figure 4: battery compartment

9. Maintenance / Cleaning, Storage and Transport



CAUTION! Material damage and loss of warranty!

Any modifications or interventions in the device, made by the customer, might damage important parts or components. Such intervention leads to the loss of any warranty and manufacturer's responsibility!

→ Never modify the device or perform any repairs yourself.

Maintenance:

In principle, the device is maintenance-free. If necessary, the housing of the device can be cleaned with a damp cloth and a non-aggressive cleaning solution when switched off.

Cleaning:

Depending on the medium, deposits or contamination may occur on the membrane. If such a tendency of the medium is known, the operator has to specify appropriate cleaning intervals.

After professionally decommissioning the instrument, the membrane can usually be cleaned carefully with a non-aggressive cleaning solution and a soft brush or sponge. If the membrane is calcified, it is recommended to have the decalcification carried out by the ARMANO Messtechnik GmbH. Please also refer to chapter 10 "Return".



CAUTION! Incorrect cleaning may cause irreparable damage of the measuring cell. Therefore, never use any sharp objects or compressed air for cleaning the membrane.



IMPORTANT! Improper transport can destroy the device and cause considerable personal and property damage.

Please inspect the transport packaging and the delivered items immediately upon their receipt to determine their integrity, completeness and conformity with the delivery documents.

The permissible ambient conditions for storage and transport can be found in the data sheet.

Storage:

- If possible, store the instrument in its original packaging.
- If possible, remove the packaging not until installation of the device.
- Store the instruments in a dry place, not exposed to direct sunlight.
- The storage temperature of the instruments should not fall below or exceed the permissible temperature limitations specified in the data sheets.

Transport:



Electronic components!

The device is equipped with sensitive electronic components and has to be handled with due care.



IMPORTANT! Please regard the legal requirements for the transport of lithium metal batteries.

Please send the instruments only with installed lithium metal battery.

Place the supplied insulating disc in front of the positive pole of the lithium metal battery.



Remove batteries!

If the device is not in use for extended periods, the batteries should be removed from the device to preclude any leaking damage.

- Use the original packaging or comparable packaging for transport.
- Avoid impacts or strong vibrations.
- Protect the device against moisture.

10. Return

Prior to any return, whether for recalibration, decalcification, for modification or for repair, the instrument has to be cleaned thoroughly and packaged carefully. Please enclose a notice of return with a detailed description of the faults when returning a defective device. If your instrument came into contact with harmful substances, a declaration of contamination is required additionally. A corresponding template can be found on our website www.armano-messtechnik.com. If you send in your device without a declaration of contamination and our service department has doubts regarding the medium used, the repair will only be started once a corresponding declaration has been submitted.



If the device came into contact with harmful substances, appropriate precautions are to be taken during cleaning!

Operating Instructions

Digital Pressure Gauge DPG 300

11. Dismounting and Disposal



WARNING! Risk of injury!

Never remove the device from a system in operation.

Make sure that the system is switched off professionally.

Before dismounting:

Check before dismounting, whether the system

- is switched off,
- is in a safe and currentless state,
- is unpressurised and cooled down.

Dismounting:

→ Pay attention to potentially leaking media. Take appropriate precautions to collect them.

Disposal:

In compliance with the directives 2011/65/EU (RoHS) and 2012/19/EU (WEEE), the device must be disposed of separately as electrical and electronic waste. Please regard legal regulations of the country of distribution.



NO DOMESTIC WASTE!

The instrument comprises various materials. It shall not be disposed of together with domestic waste.

→ Bring the device to your local recycling plant

or

→ send the device back to your supplier or to the ARMANO Messtechnik GmbH.

Disposal of used batteries:

- Cover the poles with tape during storage and disposal to avoid short circuits.
- Dispose of used batteries properly in commercial collection boxes or at municipal collection points.




WARNING! Depending on the medium used, residues on the device may cause a risk for the user and the environment. Therefore, take appropriate precautions and dispose of the device properly.

12. Warranty Conditions

The warranty conditions are subject to the statutory warranty period of 24 months, valid from the date of delivery.

Any warranty claims are excluded in case of improper use, modification of or damage to the device. Damaged membranes are not accepted as warranty claim. Furthermore, defects resulting from normal wear are not subject to warranty services.

13. CE Conformity

 The CE marking of the instruments certifies the conformity with prevailing EU directives for placing products on the market within the European Union. The following directives apply:

2014/30/EU (EMC)

2014/68/EU (PED)

The corresponding declaration of conformity is enclosed or available upon request.

14. Declaration of Conformity

EU-Konformitätserklärung

EU Declaration of Conformity

Für die nachfolgend bezeichneten Erzeugnisse

DIGITALMANOMETER
Typ DPG 300 gemäß Datenblatt 9661

DIGITALMANOMETER
Typ DPG 400 gemäß Datenblatt 9662

PRÄZISIONS-DIGITALMANOMETER
Typ DPG 1030 gemäß Datenblatt 9643

HOCHDRUCK-DIGITALMANOMETER 4...20 mA
Typ DPG 1500 gemäß Datenblatt 9651

PRÄZISIONS-DIGITALMANOMETER 4...20 mA
Typ DPG 1510 gemäß Datenblatt 9652

wird hiermit bestätigt, dass sie den wesentlichen Schutzanforderungen entsprechen, die in der Richtlinie des Rates zur Angleichung der Rechtsvorschriften der Mitgliedstaaten über die elektromagnetische Verträglichkeit (2014/30/EU) festgelegt sind.

Zur Beurteilung der Erzeugnisse hinsichtlich elektromagnetischer Verträglichkeit wurde folgende Norm herangezogen:

DIN EN 61326-1:2022-11

Des Weiteren fallen diese Geräte mit einem Druckmessbereich > 0,5 bar als „druckhaltende Ausrüstungsteile“ unter die

Druckgeräterichtlinie (2014/68/EU).

Diese Geräte werden nach geltender guter Ingenieurpraxis ausgelegt und gefertigt.

Mit Messbereichen ab 0 – 200 bar wurden sie folgendem Konformitätsbewertungsverfahren unterzogen:

Modul A „Interne Fertigungskontrolle“

Soweit zutreffend erstreckt sich die CE-Kennzeichnung dann auch auf diese Richtlinie.

We hereby declare for the following named goods

DIGITAL PRESSURE GAUGE
Model DPG 300 according to data sheet 9661

DIGITAL PRESSURE GAUGE
Model DPG 400 according to data sheet 9662

DIGITAL PRECISION PRESSURE GAUGE
Model DPG 1030 according to data sheet 9643

DIGITAL HIGH-PRESSURE GAUGE 4...20 mA
Model DPG 1500 according to data sheet 9651

DIGITAL PRECISION PRESSURE GAUGE 4...20 mA
Model DPG 1510 according to data sheet 9652

that they meet the essential protective requirements, which have been fixed in the Directive of the European Parliament and the Council on the approximation of the laws of the Member States relating to the electromagnetic compatibility (2014/30/EU).

The following standard has been used to assess the goods regarding their electromagnetic compatibility:

Moreover, these instruments with a pressure range > 0.5 bar are, as pressure equipment parts, subject to

Pressure Equipment Directive (2014/68/EU).

These instruments are designed and manufactured according to sound engineering practice.

Versions with pressure ranges from 0 – 200 bar are subjected to the following conformity assessment procedure:

Module A "Internal Production Control"

As far as they are concerned, the CE-marking then also applies to this directive.

Diese Erklärung wird verantwortlich für den Hersteller:
This declaration is issued under the sole responsibility of the manufacturer:

ARMANO Messtechnik GmbH
abgegeben durch / by
Grünhain-Beierfeld, 2023-06-12



Bernd Vetter
Geschäftsführender Gesellschafter / Managing Director

ARMANO

ARMANO Messtechnik GmbH
Standort Beierfeld
Am Gewerbehof 9
08344 Grünhain-Beierfeld
Tel.: +49 3774 58 – 0
Fax: +49 3774 58 – 545
mail@armano-beierfeld.com

Standort Wesel
Manometerstraße 5
46487 Wesel-Ginderich
Tel.: +49 2803 9130 – 0
Fax: +49 2803 1035
mail@armano-wesel.com

www.armano-messtechnik.de

Operating Instructions

Digital Pressure Gauge DPG 300



ARMANO Messtechnik GmbH

Location Beierfeld

Am Gewerbepark 9
08344 Grünhain-Beierfeld
Tel.: +49 3774 58 – 0
Fax: +49 3774 58 – 545
mail@armano-beierfeld.com

Location Wesel

Manometerstraße 5
46487 Wesel-Ginderich
Tel.: +49 2803 9130 – 0
Fax: +49 2803 1035
mail@armano-wesel.com