

# Battery-operated Digital Pressure Gauge

# DPG 300

Pressure ranges from 0 – 1.6 bar to 0 – 250 bar

Accuracy  $\leq \pm 0.5$  % FS

## Application

The battery-operated digital pressure gauge DPG 300 is suitable for measuring and monitoring positive pressures of liquid and gaseous media for pressure ranges from 0 – 1.6 bar to 0 – 250 bar. A ceramic sensor serves as measuring element. The rotatable case is made of polycarbonate and has the degree of protection IP65. The digital pressure gauge is equipped with an integrated rotatable 4 ½ digit display.

A unit conversion for widespread units (bar, psi, Pa, MPa) has been integrated into the DPG 300. Additional functions are auto zero, min./max. value with reset function, and an automatic switchoff.

## Construction

- Accuracy  $\leq \pm 0.5$  % FS
- Ceramic sensor
- Case and display rotatable
- LC display, 4 ½ digits, 7 segment indication, digit height 8.5 mm (0.33")
- Battery CR 2450, battery life > 1500 h in continuous operation
- High burst pressures and high overload

## Standard Versions

### Process Connection

Material: stainless steel 304 (1.4301)  
Connection thread: G ¼" (DIN 3852), sealing FKM

### Measuring Cell/Sensor

Ceramic sensor made of Al<sub>2</sub>O<sub>3</sub> 96 %

### Sensor Sealing

FKM

### Case

PA 6.6, polycarbonate, NCS 63 (2 ½"), degree of protection IP65, rotatable

## Pressure Ranges/Overload Capability in bar

Positive pressure	Overload	Burst pressure
0 – 1.6	4	7
0 – 2.5	4	7
0 – 4	10	15
0 – 6	10	15
0 – 10	20	35
0 – 16	40	70
0 – 25	40	70
0 – 40	100	150
0 – 60	100	150
0 – 100	200	250
0 – 160	400	450
0 – 250	400	450

vacuum resistance unrestricted

### Display

LC display, 4 ½ digit, 7 segment indication, rotatable

Digit height 8.5 mm (0.33")

Actual value, MIN/MAX with reset and auto zero function

Pressure units: bar, mbar, psi, MPa, mH<sub>2</sub>O

### Supply Voltage

1 x 3 V lithium battery (CR 2450)

### Automatic Switchoff

Configurable 0 – 5 min



### Battery Life

> 1.500 h in continuous operation

### Measurement Accuracy

$\leq \pm 0.5$  % FS

### Temperature

Operating temperature: 0 °C to +70 °C (+32 °F to +158 °F)

Medium temperature: -25 °C to +85 °C (-13 °F to +185 °F)

Storage temperature: 0 °C to +70 °C (+32 °F to +158 °F)

### Temperature Influence

0.5 % FS/10 K

### Reference Temperature

+25 °C (+77 °F)

### Long-term Stability

$\leq 0.3$  % FS/a (at reference conditions)

### Sample Rate

1 measurement/s

### Electromagnetic Compatibility

Interference emission and stability according to DIN EN 61 326

## Options

Process connection ¼" NPT

## Ordering Information

Please specify in your order:

**Basic model** DPG 300  
**Process connection** e.g. G ¼" (DIN EN 3852)  
**Pressure range** e.g. 0 – 4 bar

**Example:** DPG 300, G ¼" (DIN 3852), 0 – 4 bar

[www.armano-messtechnik.com](http://www.armano-messtechnik.com)

**ARMANO**

ARMANO Messtechnik GmbH

### Location Beierfeld

Am Gewerbepark 9 • 08344 Grünhain-Beierfeld  
Tel.: +49 3774 58 – 0 • Fax: +49 3774 58 – 545  
mail@armano-beierfeld.com

### Location Wesel

Manometerstraße 5 • 46487 Wesel-Ginderich  
Tel.: +49 2803 9130 – 0 • Fax: +49 2803 1035  
mail@armano-wesel.com

# 9661

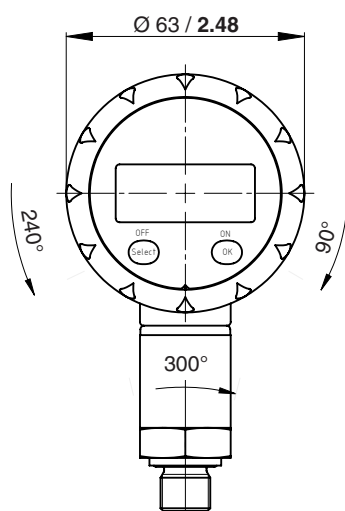
08/19

# Case Configuration, Dimensional Data (mm/inch) and Weight (g/lb)

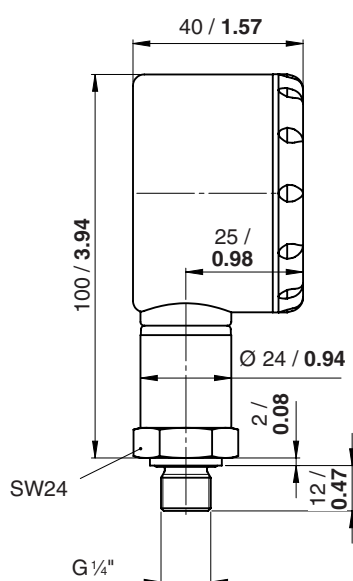
## Process Connection

Standard: G 1/4" (DIN 3852)

front view

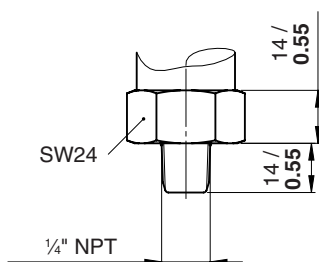


lateral view



## Optional process connections

1/4" NPT



## Weight

Approx. 150 g (0.33 lb)