

Capsule Gauge for Low Pressure

KPQS

Square case, galvanised steel

Standard Versions

Information on general and metrological features (e.g. load limits/temperature resistance) and standard pressure ranges/scale divisions can be found in model overview 6000.

Accuracy (DIN EN 837-3)
Class 1.6

Case

Square case, galvanised steel with front narrow rim black, bracket for panel mounting

Degree of Protection (DIN EN 60 529/IEC 529)
IP43

Nominal Case Size

96 x 96 mm (3.78 x 3.78")
144 x 144 mm (5.67 x 5.67")

Wetted Parts

Type – 1	connection	brass
	diaphragm capsule	CuBe alloy
	O-ring sealing	NBR
Type – 3	connection	stainless steel 316L (1.4404)
	diaphragm capsule	stainless steel 316L (1.4404)
	O-ring sealing	FPM

Case Configuration

Connection	screwed
Position of the connection	centre back connection (rm)
Mounting device	bracket for panel mounting

Pressure Ranges

 (DIN EN 837-3)

0 – 2.5 mbar to 0 – 600 mbar
(0 – 1 inH₂O to 0 – 250 inH₂O)

Process Connection

G ½B

Window

Instrument glass	pressure ranges ≤ 16 mbar (≤ 6.4 inH ₂ O)
Acrylic glass	pressure ranges ≥ 25 mbar (≥ 10 inH ₂ O)

(with punched hole for zero adjustment)

Movement

Brass/German silver	for type – 1
Stainless steel	for type – 3

Dial

Aluminum white, scale black

Pointer

Aluminum black

Zero Adjustment

On the front side



Ordering Information, Standard Pressure Ranges, Options

See pages 3 and 4

Further Options

GOST version for Russia and Kazakhstan

Special Versions Upon Request

- Other process connections
- Other pressure ranges and/or special scales, e.g. dual scale mbar/kPa, coloured fields or ranges, dial inscriptions, negative scale
- Wetted parts free of grease and oil for type – 3
- Oxygen version for type – 3
- Version for higher medium temperatures
- Increased measurement accuracy

Accessories

See catalogue heading 11

www.armano-messtechnik.com

ARMANO

ARMANO Messtechnik GmbH

Location Beierfeld
Am Gewerbepark 9 • 08344 Grünhain-Beierfeld
Tel.: +49 3774 58 – 0 • Fax: +49 3774 58 – 545
mail@armano-beierfeld.com

Location Wesel
Manometerstraße 5 • 46487 Wesel-Ginderich
Tel.: +49 2803 9130 – 0 • Fax: +49 2803 1035
mail@armano-wesel.com

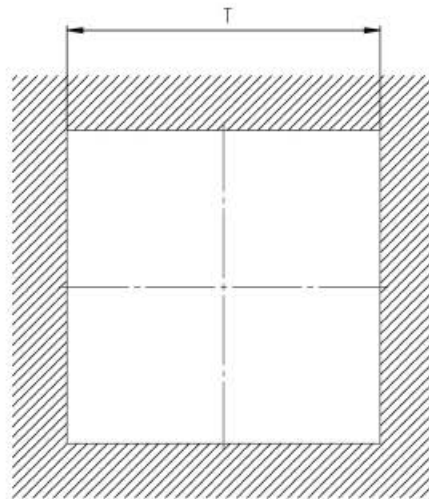
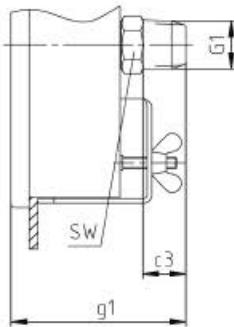
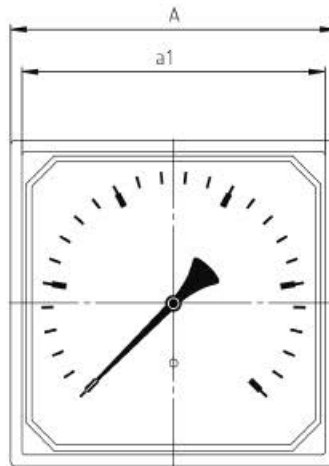
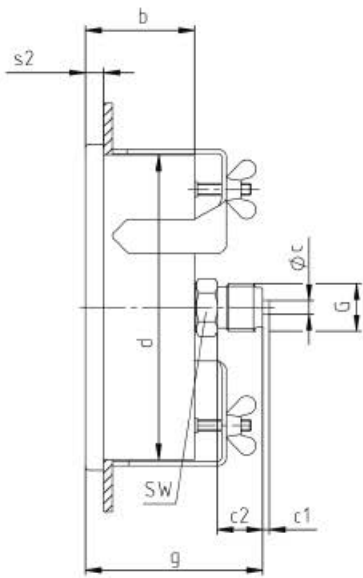
6500

03/22

Case Configurations, Code Letters, Dimensional Data and Weight

Centre Back Connection

code letters **rm**



recommended panel cut-out

Dimensional Data (mm/inch) and Weight (kg/lb)

A (NCS)	a1	b	c	c1	c2	c3	d	G	G1	g	g1	s2 ⁺¹	SW	T	approx. weight
96	88						90	G 1/2 B						92	0.65
3.78	3.46	48	6	3	20	19	3.54	1/2" BSP	1/2" NPT	78	74	8	22	3.62	1.43
144	134	1.89	0.24	0.12	0.79	0.75	136	M20x1.5		3.07	2.91	0.31	0.87	138	0.94
5.67	5.28						5.35							5.43	2.07

Ordering Information

Basic Model		Capsule Gauge for Low Pressure with Square Case					KPQS
Case filling	without					without code letters	
Nominal case size	96x96, 144x144 mm (3.78x3.78, 5.67x5.67")					96, 144	
Wetted material	copper alloy					- 1	
	stainless steel					- 3	
Case configuration	case/connection	screwed				without code letters	
	position of the connection	centre back connection				rm	
	mounting device	bracket for panel mounting				without code letters	
Pressure ranges	mbar			inH ₂ O			
	vacuum	compound	pressure	vacuum	compound	pressure	
	-2.5 / 0 ¹⁾	-1 / +1.5 ¹⁾ -1.5 / +1 ¹⁾	0 - 2.5 ¹⁾	-1 / 0 ¹⁾	-0.4 / +0.6 ¹⁾ -0.6 / +0.4 ¹⁾	0 - 1 ¹⁾	
	-4 / 0	-1.5 / +2.5 -2.5 / +1.5	0 - 4	-1.6 / 0	-0.6 / +1 -1 / +0.6	0 - 1.6	
	-6 / 0	-2 / +4 -4 / +2	0 - 6	-2.5 / 0	-1 / +1.5 -1.5 / +1	0 - 2.5	
	-10 / 0	-4 / +6 -6 / +4	0 - 10	-4 / 0	-1.5 / +2.5 -2.5 / +1.5	0 - 4	
	-16 / 0	-6 / +10 -10 / +6	0 - 16	-6 / 0	-2 / +4 -4 / +2	0 - 6	
	-25 / 0	-10 / +15 -15 / +10	0 - 25	-10 / 0	-4 / +6 -6 / +4	0 - 10	
	-40 / 0	-15 / +25 -25 / +15	0 - 40	-16 / 0	-6 / +10 -10 / +6	0 - 16	
	-60 / 0	-20 / +40 -40 / +20	0 - 60	-25 / 0	-10 / +15 -15 / +10	0 - 25	
	-100 / 0	-40 / +60 -60 / +40	0 - 100	-40 / 0	-15 / +25 -25 / +15	0 - 40	
	-160 / 0	-60 / +100 -100 / +60	0 - 160	-60 / 0	-20 / +40 -40 / +20	0 - 60	
	-250 / 0	-100 / +150 -150 / +100	0 - 250	-100 / 0	-40 / +60 -60 / +40	0 - 100	
	-400 / 0	-150 / +250 -250 / +150	0 - 400	-160 / 0	-60 / +100 -100 / +60	0 - 160	
	-600 / 0	-200 / +400 -400 / +200	0 - 600	-250 / 0	-100 / +150 -150 / +100	0 - 250	
Process connection	standard thread	G ½ B				G ½ B	
	options	½" NPT				½" NPT	
		M20x1.5				M20x1.5	
		G ¼ B				G ¼ B	
		¼" NPT				¼" NPT	
		M12x1.5				M12x1.5	
Options	see page 4						
Example	KPQS 96 - 3 rm, 0 - 60 mbar, G ½ B						

¹⁾ for NCS 96 (3.78"): 180 angular degrees

