

Comparison Pumps

Hydraulic version on a base plate

Pressure ranges 0 – 60 bar and 0 – 600 bar

PS 60-P
PS 600-P

Application

The comparison pump models PS 60-P and PS 600-P are pressure generators and used for comparative measurements. They are suitable for testing and adjusting pressure measuring devices.

Model PS 60-P is applicable for pressure ranges from 0 to 60 bar and model PS 600-P is applicable for pressure ranges from 0 to 600 bar. For testing, acid-free, thin oil or distilled water (for the special versions) is used as medium.

The spindle pump serves to generate the pressure. The test item is compared to a pressure measuring device with higher accuracy (e.g. Overview 2000 Test Gauges, Overview 10000 Calibration Technology).

Comparison pumps on a base plate are small, lightweight, handy and can be mounted easily on a workbench or applied mobile on site.

barotec®
KALIBRIERTECHNIK



Standard Version

Construction Type

Plate version

Medium

Acid-free, thin oil

Pressure Ranges

	PS 60-P	PS 600-P
p_{\min} (operating volume ≤ 0.1 litre)	0 bar	0 bar
p_{\max} (operating volume ≤ 0.1 litre)	60 bar	600 bar

Connection

2 connections male G ½ LH, each with 2 clamping sleeves on G ½ right or M20x1.5 right, incl. double sealing

Base Plate

All parts mounted on aluminum, grey enamelled, 4 mounting orifices $\varnothing 8.5$ mm (0.33")

Piston and Spindle

Stainless steel

Cylinder

Brass, grey enamelled

Weight

Approx. 7 kg (15.43 lb)

Temperature Range

10 °C to 50 °C (50 °F to 122 °F)

Special Versions and Options

Special Version

Medium: distilled water

Special Version for Oxygen (O₂)

Medium: distilled water

Wetted parts: free of grease and oil

Cylinder: blue enamelled

Connections

Stop valve 7 or 8 according to DIN 16 271 (with additional test connection for simultaneous testing of pressure gauge and pressure transmitter)

Scope of Delivery

The delivery includes – in addition to the comparison pump:

- 1 operating instruction
- 1 l special oil or
1 l distilled water (for the special versions)
- 2 special gaskets for connections, with
2 encased O-rings (mounted)
- 4 O-rings as spare parts
- 2 clamping sleeves G ½ (mounted)
- 2 clamping sleeves M20x1.5

Ordering Information

Please specify in your order:

Basic model PS 60-P
Options see above

Example: PS 60-P
PS 60-P-O₂

www.armano-messtechnik.com

ARMANO

ARMANO Messtechnik GmbH

Location Beierfeld

Am Gewerbepark 9 • 08344 Grünhain-Beierfeld
Tel.: +49 3774 58 – 0 • Fax: +49 3774 58 – 545
mail@armano-beierfeld.com

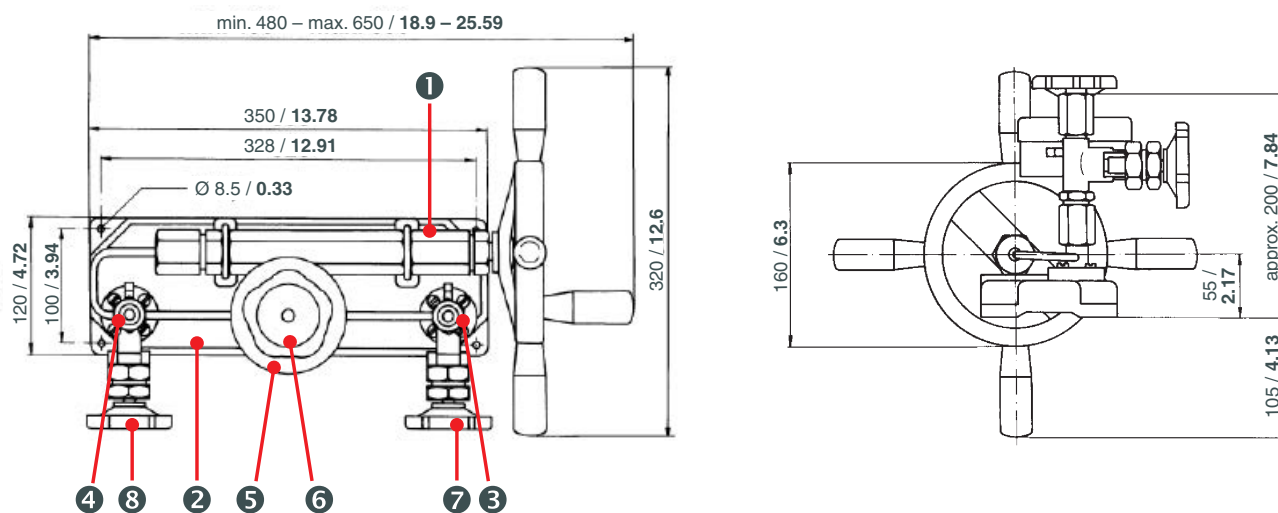
Location Wesel

Manometerstraße 5 • 46487 Wesel-Ginderich
Tel.: +49 2803 9130 – 0 • Fax: +49 2803 1035
mail@armano-wesel.com

10155

02/19

Schematic Drawing and Dimensional Data (in mm/inches)



- ❶ Pump system (piston with spindle – turnable via handwheel – for pressure generation, cylinder serving as pressure chamber)
- ❷ Base plate
- ❸ Connection for test item
- ❹ Connection for reference device
- ❺ Reservoir for the medium with stop valve ❽
- ❻ Stop valve with clamping sleeve for test item
- ❼ Stop valve with clamping sleeve for reference device